

UN CDIN型



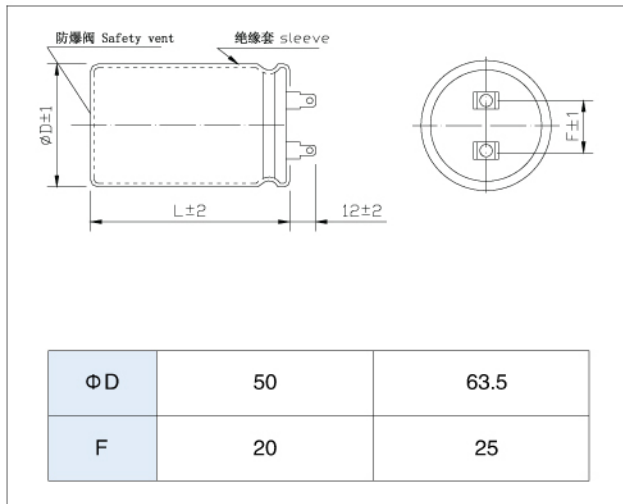
- ◎ 高纹波,85°C 2000小时,可用于变频空调、变极器。
High ripple current ,Load life of 2000 hours at 85°C.
Used for air conditioner , general-purpose inverter.
- ◎ RoHS指令已对应完毕。Adapted to the RoHS directive.

■ 主要技术性能 Specifications

项目 Items	特性 Performance Characteristics
使用温度范围 Operating temperature range	-25°C ~ +85°C
额定电压范围 Rated voltage range	400~ 450 V
标称电容量允许偏差 Capacitance tolerance	± 20% (120Hz, +20°C)
漏电流 Leakage current	$I \leq 0.01CV(\mu A)$ 或5mA 5分钟 取较小值 (at 20°C,after 5 minutes ,Whichever is smaller)
损耗角正切 (tg δ) Dissipation factor (+20°C, 120Hz)	小于图表中规定的数值 Less than the value specified in the standard products tables
耐久性 Load life	+85°C施加额定电压2000小时, 恢复16小时后: After applying rated voltage for 2000 hours at +85°C and then resumed 16 hours: 电容量变化率 Capacitance change : ± 20%初始测量值以内 Initial measured value 漏 电 流 Leakage current : ≤ 初始规定值 Initial specified value 损耗角正切值 Dissipation factor : ≤ 2倍初始规定值 2times Initial specified value
高温贮存 Shelf life	+85°C,1000小时贮存后,加额定工作电压处理30分钟,恢复16小时后: After storage for 1000 hours at +85°C , UR to be applied for 30 minutes and then resumed 16 hours 电容量变化率 Capacitance change : ± 20%初始测量值以内 Initial measured value 漏 电 流 Leakage current : ≤ 初始规定值 Initial specified value 损耗角正切值 Dissipation factor : ≤ 2倍初始规定值 2times Initial specified value

■ 外形图 Case table

单位Unit: mm



■ 频率的修正系数Frequency coefficient

Frequency(Hz)	50,60	120	300	1K	10K
Factor	0.7	1.0	1.10	1.30	1.40

■ 尺寸 Dimensions

Rated Voltage (V.D.C)	Surge Voltage (V.D.C)	Rated capacitance (μF)	Leakage Current MAX(mA)	Dissipation Factor MAX	Ripple Current 85°C 120Hz(Arms)	SIZE
						ΦD×L(mm)
400	450	680	2.72	0.20	2.7	50 × 65
		820	3.28	0.20	3.0	50 × 65
		1000	4.00	0.20	3.5	50 × 75
		1200	4.80	0.20	3.8	50 × 75
		1500	5.00	0.20	4.7	50 × 95
		1800	5.00	0.20	5.1	50 × 95
		2200	5.00	0.20	6.2	50 × 120
		2500	5.00	0.20	7.0	63.5 × 100
		2700	5.00	0.20	7.3	63.5 × 95
		3300	5.00	0.20	7.9	63.5 × 105
		3900	5.00	0.20	9.0	63.5 × 120
420	470	680	2.86	0.20	2.8	50 × 65
		820	3.44	0.20	3.2	50 × 65
		1000	4.20	0.20	3.5	50 × 75
		1200	5.00	0.20	4.2	50 × 75
		1500	5.00	0.20	4.8	50 × 95
		1800	5.00	0.20	5.3	50 × 95
		2200	5.00	0.20	6.3	50 × 120
450	500	680	3.06	0.20	2.6	50 × 65
		820	3.69	0.20	3.1	50 × 75
		1000	4.50	0.20	3.5	50 × 75
		1200	5.00	0.20	4.3	50 × 95
		1500	5.00	0.20	4.8	50 × 110
		1800	5.00	0.20	5.5	50 × 120
		2200	5.00	0.20	6.3	63.5 × 95
		2700	5.00	0.20	7.1	63.5 × 105
		3300	5.00	0.20	8.3	63.5 × 120
		3900	5.00	0.20	9.8	63.5 × 145

|
 额定纹波电流 Rated ripple current (A,+85°C,120Hz)